

DCLB SERIES

Extruded Shoebox

Specifications

CONSTRUCTION

The housing and door frame are constructed of extruded aluminum. The flat tempered glass lens is sealed in place and a one-piece door gasket is provided for weather tight protection. ETL listed for wet locations.

OPTICAL SYSTEM

Made with a state of the art high performance reflectors that use high gloss components to achieve precise photometric distributions. The fixture is a full

cut-off light fixture and is Dark-Sky Friendly in a level horizontal position only.

ELECTRICAL SYSTEM

Available in 1000W standard metal halide and pulse-start metal halide. Comes standard with a 4KV pulse rated mogul base socket. Each 60HZ CWA multi-tap, 480V, or 5-tap ballast is pre-wired and installed for convenience. 50HZ ballast available upon request.

MOUNTING

Standard mounting options include single, twin 70° and 180°, quad 70° and 90° Davit and 7° Up Tilt Straight Arms. Additional mounting options may be available for custom applications.

FINISH

A Super Durable Polyester powder coat finish is electrostatically applied in our state of the art paint facility. Standard colors available: Black, Bronze, US Green, White. Custom colors available upon request.

Ordering Information

Example: **DCLB2GP1-PS-BK** (1000W Metal Halide, Multi-Tap, Pulse-Start, Black)

DCLB2

Series	Reflector	Wattage	Voltage	Pulse-Start	Finish
DCLB2 Extruded Sports Shoebox	G Type IV Forward Throw	P 1000 MH	1 Multi-Tap ^{1,2} 2 480V 3 5-Tap ²	PS Pulse-Start	BK Black BZ Bronze GR US Green WH White SP Special

Accessories (Order Separately)

DAVIT ARMS

- Single Davit Arm
DV190
EPA: 2.00
- Double Davit Arm at 180°
DV2180
EPA: 3.72
- Double Davit Arm at 70°
DV270
EPA: 3.00
- Quad Davit Arm at 70°
DV470
Quad Davit Arm at 90°
DV490
EPA: 5.20

CCS 7° TILT ARMS

- Single Straight Arm with 7° Up Tilt
CCS7-190
EPA: 2.06
- Double Straight Arm at 70° with 7° Up Tilt
CCS7-270
EPA: 3.36
- Double Straight Arm at 180° with 7° Up Tilt
CCS7-2180
EPA: 3.36
- Quad Straight Arm at 70° with 7° Up Tilt
CCS7-470
Quad Straight Arm at 90° with 7° Up Tilt
CCS7-490
EPA: 4.66

SHIELDS

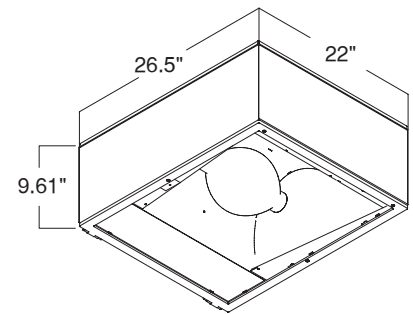
- Large Back Side Shield
S83
- Large Vandal Shield
S140

NOTES

- Multi-Tap Ballast is 120V, 208V, 240V, & 277V.
- Fixture is pre-wired for 240V. Alternate voltages will require field adjustment.



Dimensions

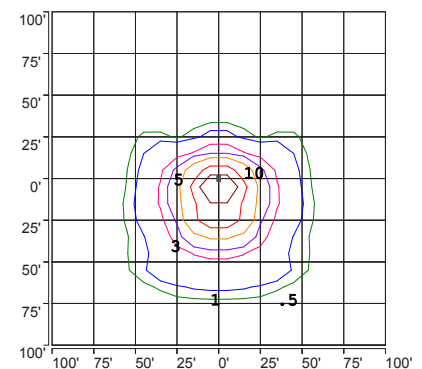


Fixture EPA (ft.²) - 3.00
Approx. Weight - 61 lbs.

EPA's (ft.²)

Fixture Configuration	EPA's	
	Davit Arm	7° CCS Arm
1 @ 90°	5.00	5.06
2 @ 180°	9.72	9.36
2 @ 70°	8.46	8.82
4 @ 90° or 4 @ 70°	15.43	14.89

Photometry



ISOFOOTCANDLE PLOT:
DCLB2GP1 1000W MH CENTER COURT SERIES
23° AFG - 0 DEGREE TILT

CENTER COURT